

New Space-Saving Design

With its small footprint, this printer can be set up almost anywhere, yet it holds plenty of paper on its high-capacity roll.



Ribbon Rewind Function

The ribbon rewind function enables printing without waste. When the previous half portion of the ribbon patch was not used in the previous order, it can be used in the next 4" x 6" or 3.5" x 5" size print order.

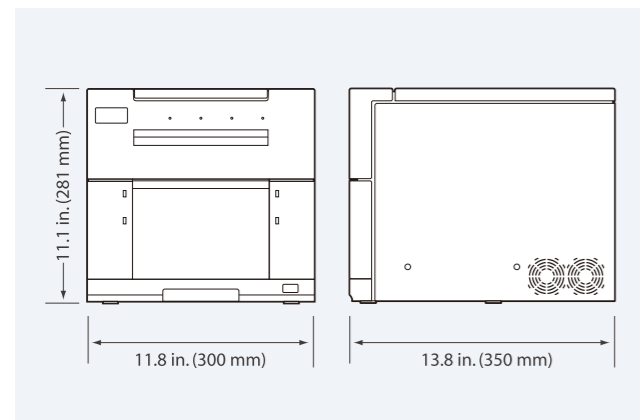
*Ribbon rewind function does not work for Matte finish.

ASK-500 Specifications

Model	ASK-500
Printing method	Dye-sublimation thermal transfer
Surface finish (*1)	Glossy type, Matte type
Printing resolution	300 x 300 dpi
Print speed (*2)	4" x 6": approx. 12.0 sec (*3) 6" x 8": approx. 22.5 sec 3.5" x 5": approx. 11.1 sec (*3) 5" x 7": approx. 20.8 sec
Foot print	0.105 m ²
Dimensions (W x D x H)	11.8" x 13.8" x 11.1" (300 mm x 350 mm x 281 mm)
Weight	Approx. 14 kg (31 lb.)
Interface	Hi-Speed USB ver. 2.0
Power supply	100V-240V AC 50/60Hz
Accessories	Paper strip bin, Paper tray, Quick Set Up Guide, Safety Guide

*1 Both are available with one media. *2 Does not include data transfer, printer initialization and paper feed times. *3 Single print speed of 2-up print. Specifications are subject to change without notice.

Dimensions



Consumables Lineup

Model	Print size	Number of prints (max)*
ASK-500 MEDIA SET 68	4 x 6 in. (102 x 152 mm)	750 prints
	6 x 8 in. (152 x 203 mm)	375 prints
ASK-500 MEDIA SET 57	3.5 x 5 in. (89 x 127 mm)	800 prints
	5 x 7 in. (127 x 178 mm)	400 prints

*Maximum number of prints when printing the same size on one media.



Explore new business opportunities with a compact printer anyone can use, anywhere!



Refilling supplies has never been simpler!

Multiple print sizes with a single media

Now with even easier supply replacement and more print-size flexibility, the ASK-500 opens up new photo business possibilities.

Dye-sublimation Printer
ASK-500

NEW

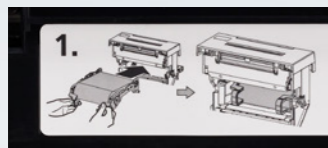
Refilling supplies has never been simpler!

Consumables have attachment parts built in



Ribbons and paper can now be inserted right out of their boxes, since they have the necessary parts already attached —no setup needed.

Visual instructions make replacement easy



Simple-to-follow illustrations guide the process



A status lamp confirms that the paper is inserted correctly



Grab the upper handle and pull out the inner compartment.



Remove the used ribbon, then take the new ribbon out of its box and simply insert it.



Remove the used paper and put the new paper straight inside. Insert the loose end of the paper until the status lamp turns green.



Done!

NEW

Multiple print sizes with a single media

Multiple sizes can be printed with a single media. This lets you print more efficiently and save money.

Examples of size variation (when using 6-inch paper roll)



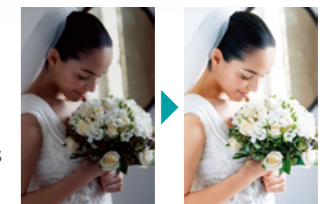
High-quality printing technology

Matte finish mode

This mode produces prints with a cool and luxurious feel, by performing special processing on the ink ribbon and paper without the need to exchange them.

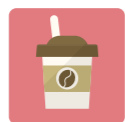
Image Intelligence™

Fujifilm's proprietary image processing technology, Image Intelligence™, automatically compensates for problematic conditions and reproduces beautiful images as the eye sees them.



Even new installations run trouble-free thanks to easy maintenance

With no need for special training, this printer is well-suited even for shops with many short-term employees, and businesses working with photos for the first time.



Coffee shops



Variety stores



Supermarkets



Convenience stores



Drug stores



Amusement parks

Dust-Proof Design to Protect Prints from Dust

High air pressure inside the printer prevents dust from entering, and the air passages of the thermal head and the power supply unit are separated. This lets the printer be set up in a variety of on-site environments.

