

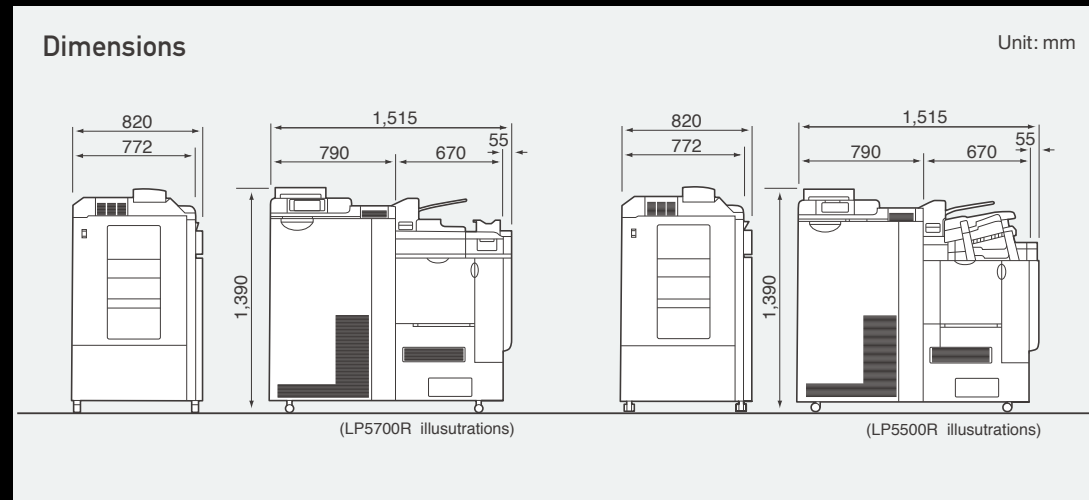
Digital Minilab Frontier LP5700R/LP5500R Main Specifications

Processing capacity	Print sizes	Paper Widths	LP5700R	LP5500R
	3 R	127 mm (5")	Approx. 2,210 prints/hr	Approx. 1,350 prints/hr
	4 R	152 mm (6")	Approx. 2,040 prints/hr	Approx. 1,210 prints/hr
	12 R	305 mm (12")	Approx. 300 prints/hr	Approx. 300 prints/hr
Print sizes	82.5 mm (3.2") × 117 mm (4.6") ~ 305 (12") × 457 mm (18")			
Processing chemicals	Chemical system CP-49E			
Footprint space	Approx. 1.2 m ² (included optional unit)			

Laser Printer /Paper Processor LP5700R and LP5500R

Type	Floor-type, normal light operation (laser printer, processor, cutter and sorter in one unit)
Exposure system	Scanning exposure system using RGB lasers
Paper magazines	Two switchable paper magazines (standard accessory)
Paper	FUJICOLOR paper (silver-halide)
Paper widths	89 mm (3.5"), 102 mm (4"), 117 mm (4.6"), 127 mm (5"), 152 mm (6"), 203 mm (8"), 210 mm (8.3"), 254 mm (10"), 279 mm (11"), 297 mm (11.7"), 305 mm (12")
Back printing	Two 40-character lines in backside print of information
Printer sorter	LP5700R: SU1400AY, sorting capacity: 14 orders of C/H/P-mixed format prints LP5500R: SU700AY, sorting capacity: 7 orders of C/H/P-mixed format prints
Printer condition setup	Semi-automatic calibration by AD300 calibrator
Processing time	Dry-to-dry: 1 min. 22 sec.
Power requirements	AC200-240V (50/60Hz) Single-phase 24A, Three-phase four-wire 17A, Approx. 4.8KVA
Dimensions	LP5700R (with 14-order sorter): 1,515 (W) × 820 (D) × 1,390 (H) mm LP5500R (with 7-order sorter): 1,515 (W) × 820 (D) × 1,390 (H) mm
Weights	LP5700R (with 14-order sorter): Approx. 470 kg (520 kg during actual operation) LP5500R (with 7-order sorter): Approx. 460 kg (510 kg during actual operation)

Performance varies depending on processing capabilities of the Imaging Controller.
Specifications are subject to change without notice.
All brand names or trademarks are property of their respective owners.

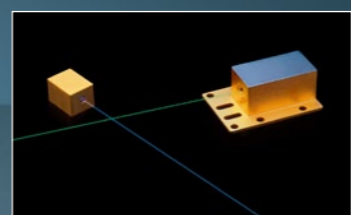


Exceptional Speed and Productivity Provide
Further Strength to Your Print Business

Make your business the best-loved photo shop in town with minimal customer waiting times and absolutely no compromise on print quality

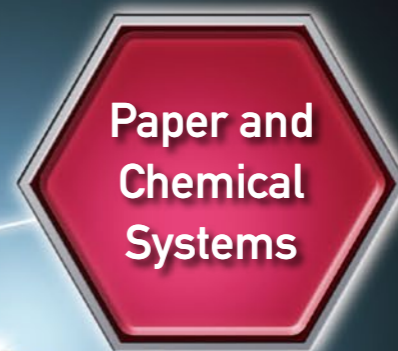
Amazing high image quality with the exceptional printing and high image processing technologies that only Fujifilm can offer; Outstanding capability enables processing of up to 2,040 prints per hour*. Make sure your customers come back to you again and again by offering ultra high-speed finishing and the highest quality prints of digital images.

*This capability available only with the Frontier LP5700R



Frontier LP5700R/LP5500R with high-speed processing technology

The Frontier LP5700R/LP5500R have been engineered for greater productivity. Other elements include the high-speed conveyor belt, the highly efficient multi-path chemical processing system, and the fast yet energy-efficient drying system. Sharp, high-resolution images and pure, vivid colors are provided by the Fujifilm-developed high-speed laser exposure unit.



Fujicolor Crystal Archive Paper Type II

Strongly recommended as the optimum color print paper for the Frontier LP5700R/LP5500R, Fujicolor Crystal Archive Paper Type II paper offers faster results along with superior print quality.

CP-49E chemical system

The CP-49E chemical system guarantees time-saving efficiency. One-touch chemical mixing provides simple, clean and safe processing.

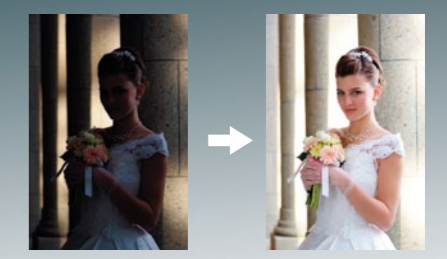


Advanced Frontier hardware and supporting Fujifilm products are the keys to "Prints in Minutes" service



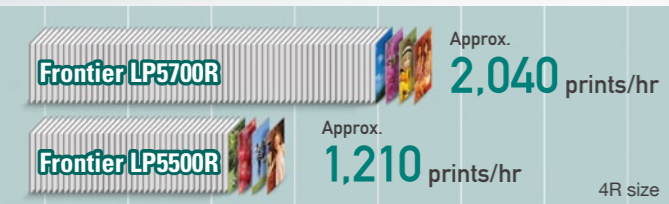
Image Intelligence™

Incorporated Image Intelligence™ automatically compensates for problematic conditions, such as poor lighting, backlighting, high contrast, underexposure or overexposure. Image Intelligence™ also makes skin tones more natural and facial expressions more distinct. Processing time is reduced because photo image correction is automatic at the same time ensuring attractive, customer-pleasing prints.



Original image → Optimized image after image processing

High Processing Capacity



Increased processing capacity allows you to handle more business and offer faster services to your customers.

Single-Order Processing Time



With faster across-the-board processing (including dry-to-dry time of only 1'22"), now drop-off, processing, and pick-up can be accomplished in a single trip.

12-inch Print Sizes

The wider range of sizes includes prints up to 12 x 18 inches. Even at these large dimensions, the prints have beautiful image quality and crisp, clear resolution.



Space Saving

More compact dimensions and three-sided maintenance give you greater flexibility and space efficiency in the physical layout of your store.

